



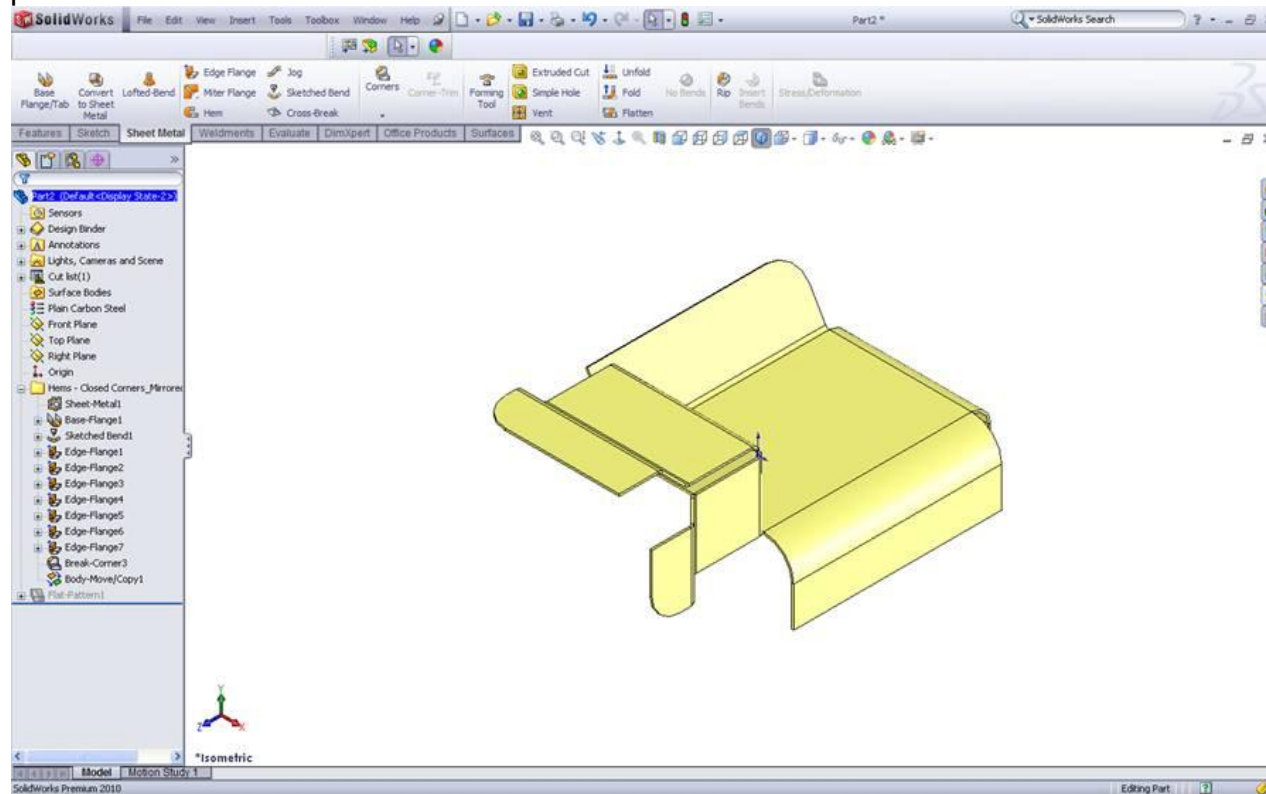
## Weekly Tech Tip

**Topic: Mirror Parts**

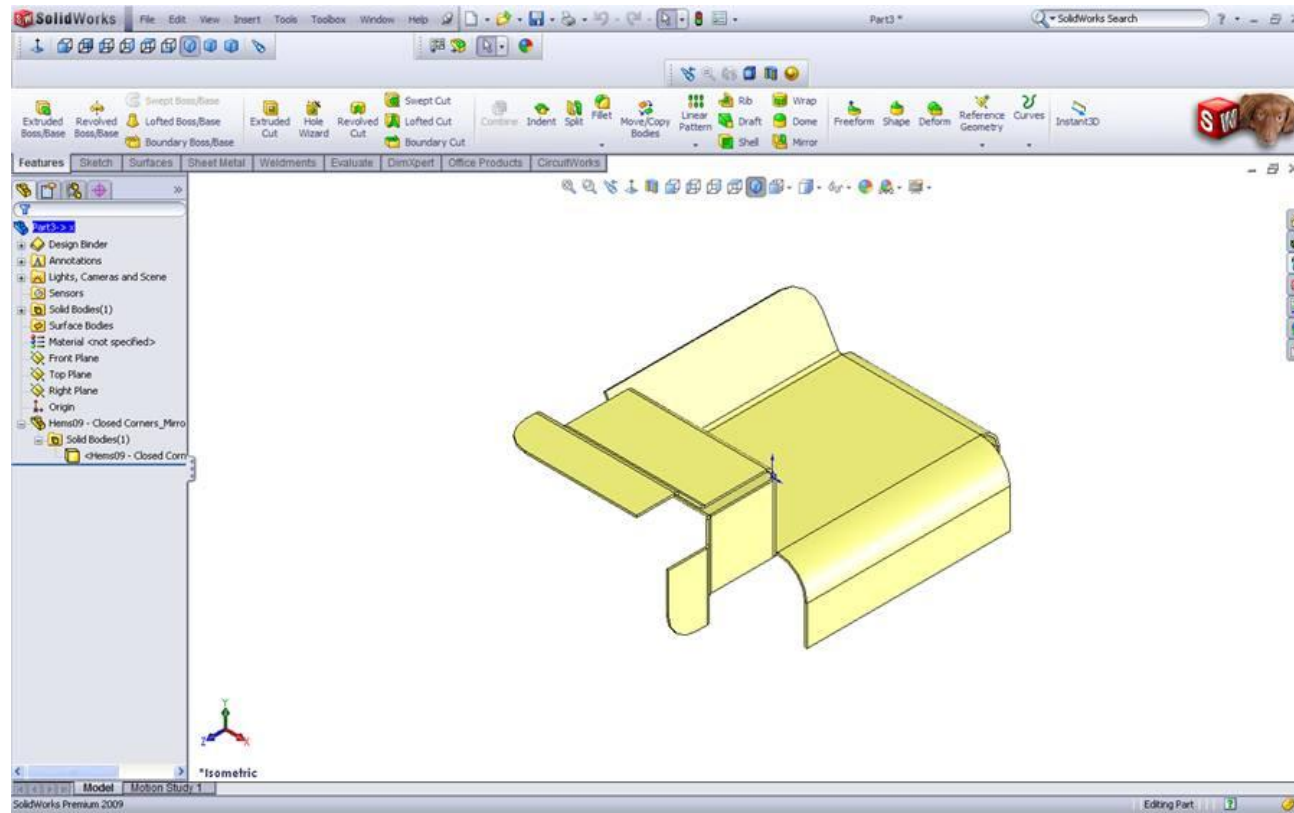
**May 31, 2010**

In SolidWorks 2010, when you mirror a sheet metal part (via selecting a face/plane to mirror about and then clicking on Insert\Mirror Part) and then choose 'Break link to original part' (in the property manager), SolidWorks now stores the features that were used to produce the original part.

Example of a mirrored part created in SolidWorks 2010:



Example of a mirrored part created in SolidWorks 2009:



For Tech support please email [techsupport@rnd-tech.com](mailto:techsupport@rnd-tech.com)